

STEP 0:

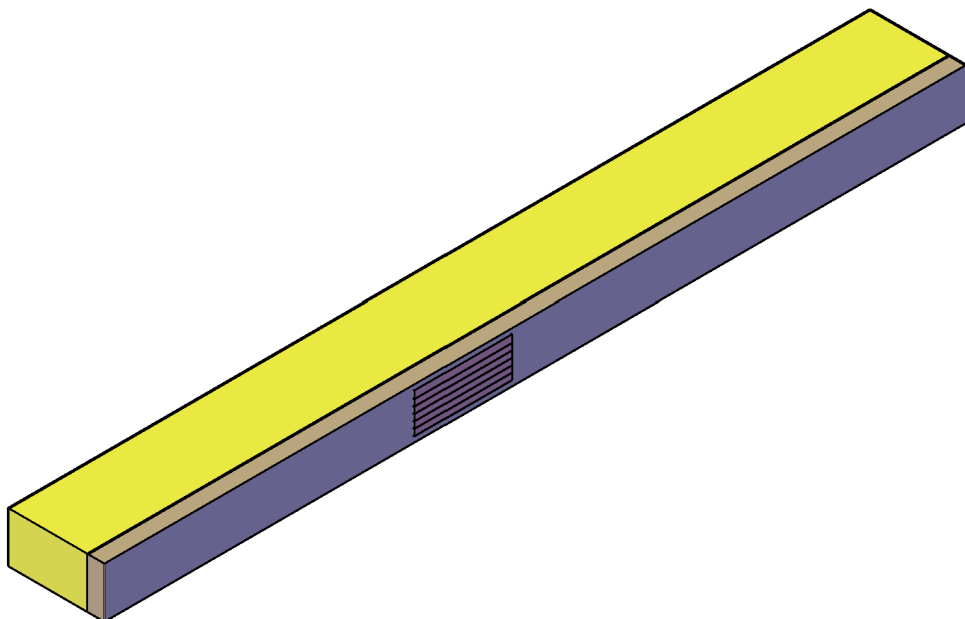
Plan



Front View

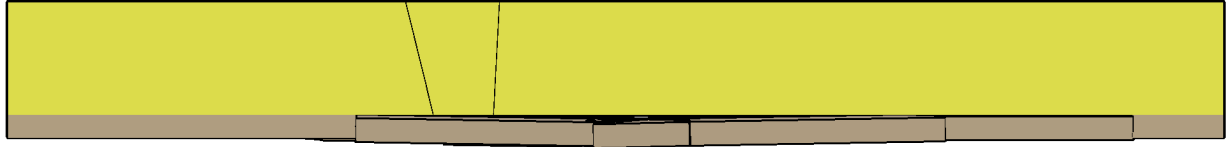


3D Model

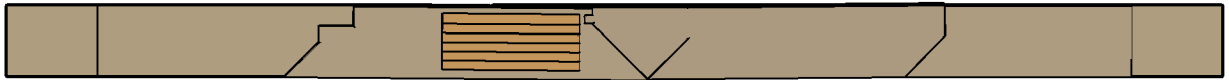


STEP 1:

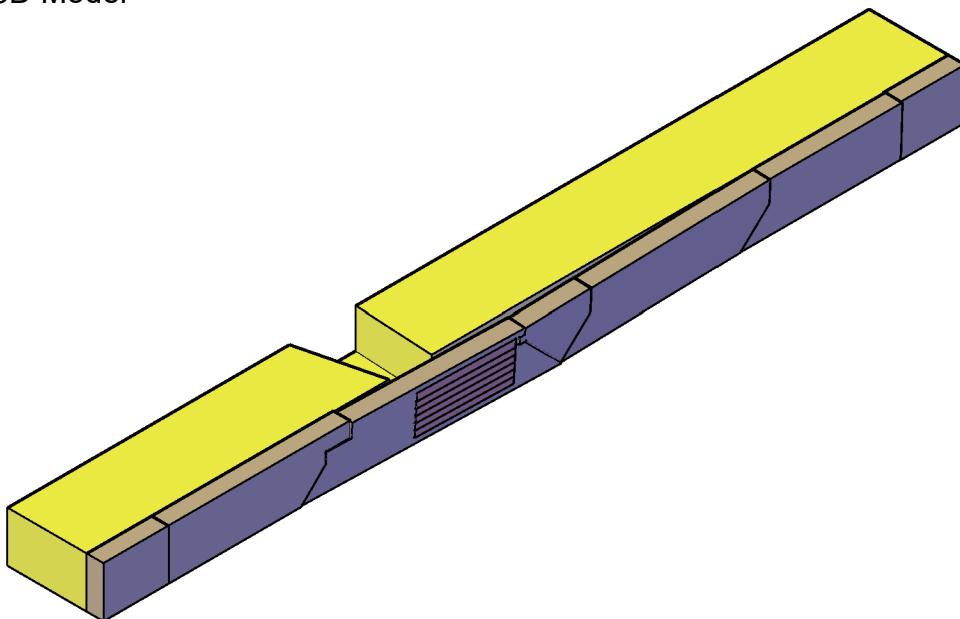
Plan



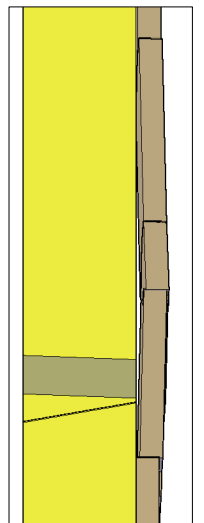
Front View



3D Model

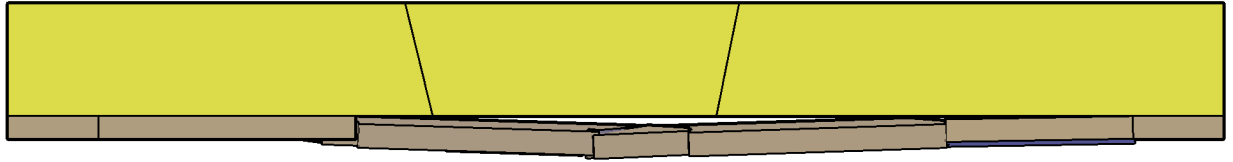


Lateral view

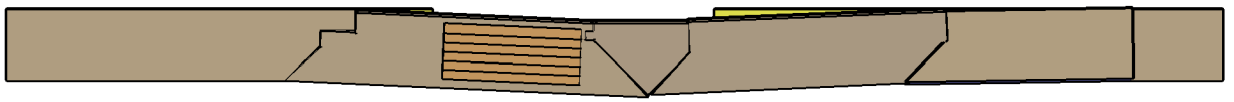


STEP 2:

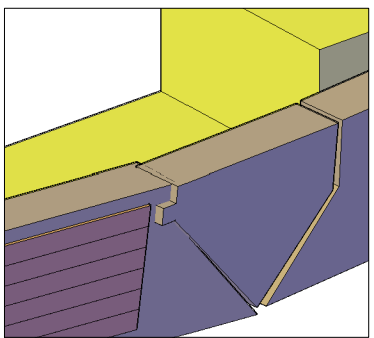
Plan



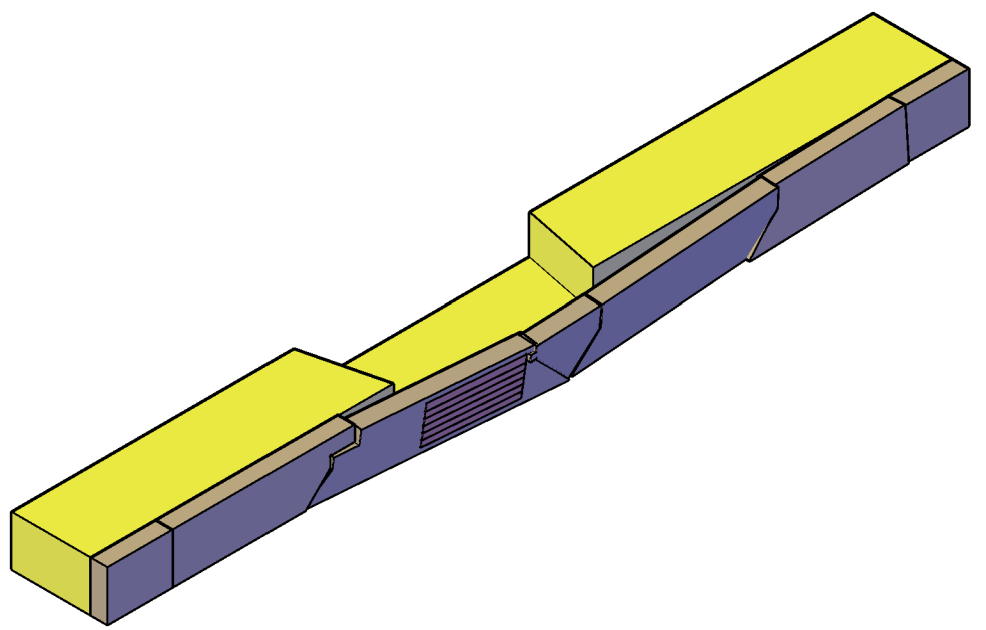
Front View



3D Model

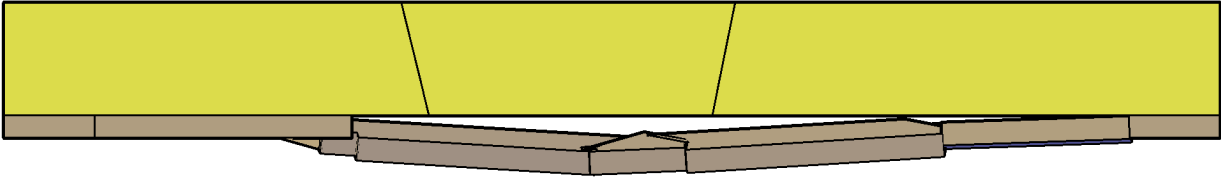


Middle crack

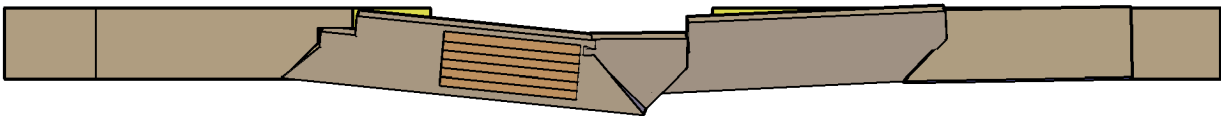


STEP 3:

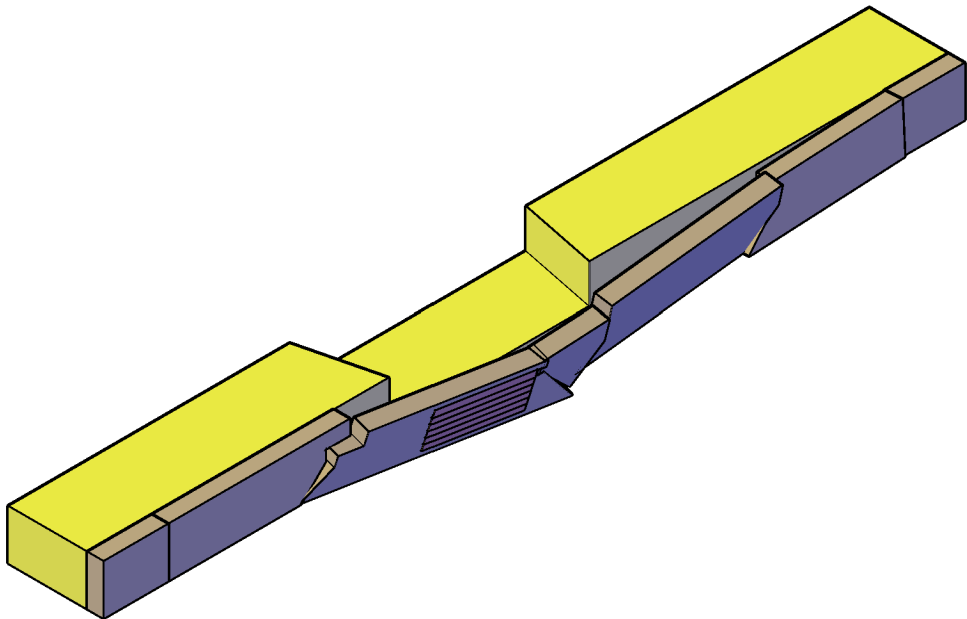
Plan



Front View



3D Model

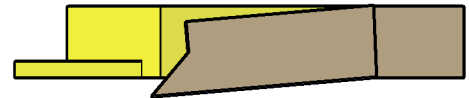


STEP 4:

Plan



Front View



3D Model

